

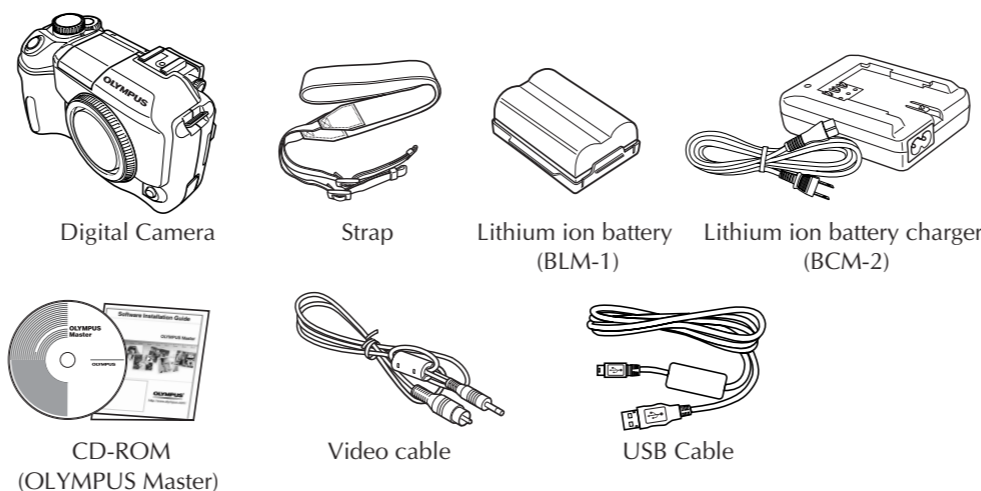
It is strongly recommended that you follow these step-by-step instructions to set up and quickly begin using your new Digital Camera.

STEP

# 1

## UNPACK THE BOX CONTENTS

Please gather the items shown in the illustration. You'll need these to complete the procedures that follow.



The following items are also included in this package: body cap, eyepiece cover, Quick Start Guide, Advanced Manual, warranty card and registration card.

STEP

# 2

## REVIEW THE DOCUMENTATION

**Quick Start Guide** (this document)  
Getting started with your digital camera.

**Quick Reference Guide** (reverse side of this document)  
Quick guide to using common features and functions.

**Advanced Manual**  
Detailed instructions on all camera features and functions.

**Software Installation Guide** (Separate document on OLYMPUS Master CD-ROM)  
Detailed instructions on installing OLYMPUS Master software.

STEP

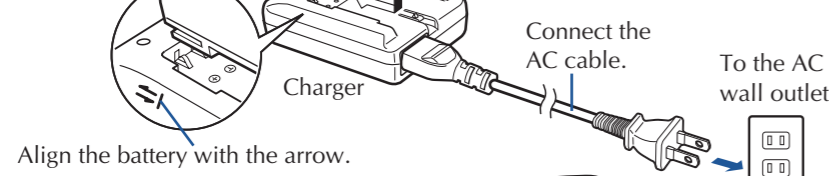
# 3

## CHARGE AND INSERT THE BATTERY

a. Attach the battery to the charger.

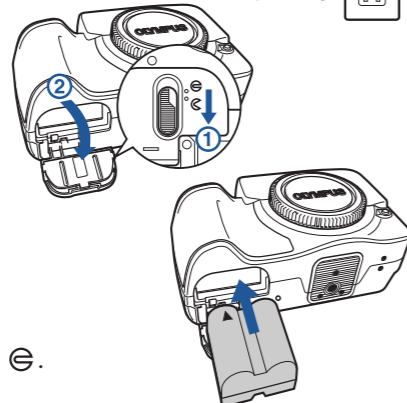
Charging indicator  
Red : Charging  
Green : Charging completed

Remove the protection cap from the battery.



b. Slide the battery compartment lock to  $\odot$  and open the battery compartment cover. Load the battery as shown in the illustration. Unloading the battery: Tilt the camera while holding in the battery. Carefully remove the battery without dropping it.

c. Slide the battery compartment lock to  $\ominus$ .



STEP

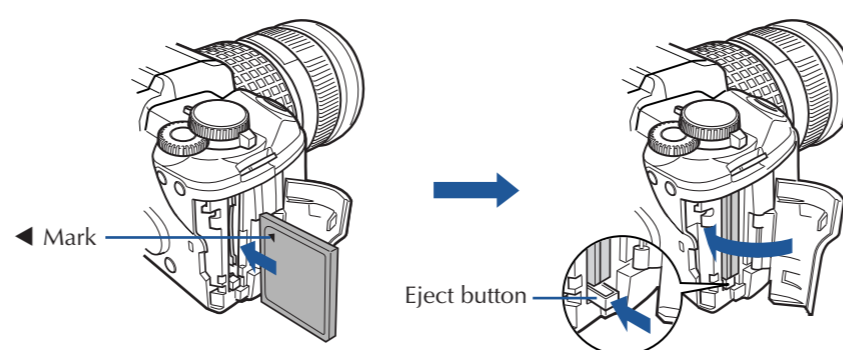
# 4

## INSERT THE COMPACT FLASH

This camera can use a Compact Flash or Microdrive (optional). An xD-Picture Card can also be used with a card adapter (optional).

a. Insert the card fully with the  $\blacktriangle$  mark side facing toward the monitor side (the camera's rear side) as illustrated.

b. Close the card cover.



STEP

# 5

## ATTACH THE STRAP

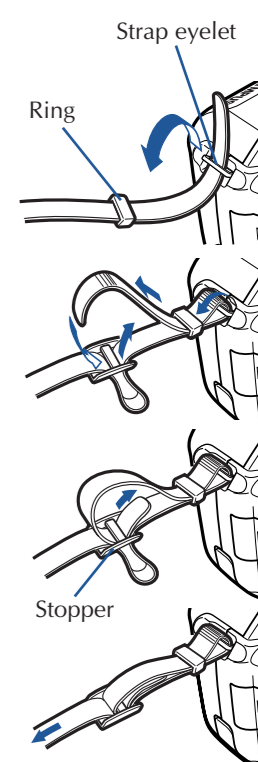
a. Thread one end of the strap through the strap eyelet on the camera.

b. Thread the end of the strap through the ring, then thread it through the stopper as indicated by the arrows.

c. Thread the strap back through the other hole of the stopper.

d. Pull the other side of the strap tight, making sure that it is fastened securely.

e. Repeat steps a. - d. to attach the other end of the strap to the other eyelet.



STEP

# 6

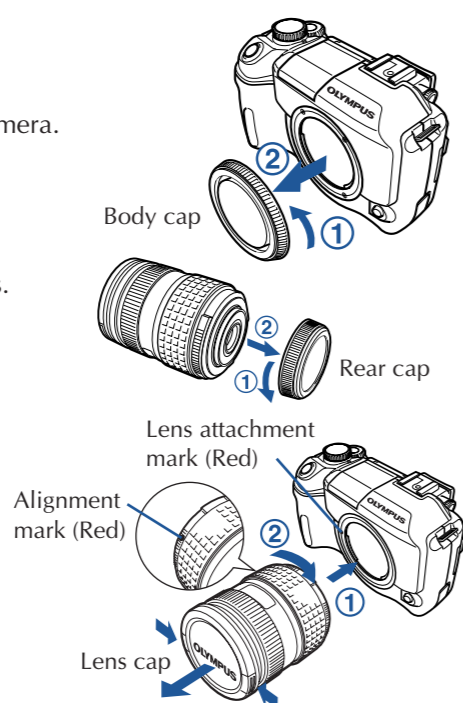
## ATTACH A LENS

a. Remove the body cap from the camera.

b. Remove the rear cap from the lens.

c. Align the lens attachment mark (red) on the camera with the alignment mark (red) on the lens, then insert the lens into the camera's body. Rotate the lens clockwise until you hear it click.

d. Remove the lens cap.



STEP

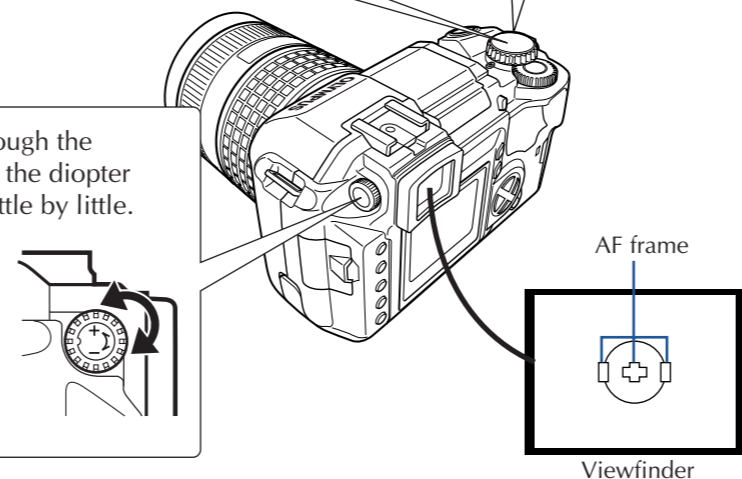
# 7

## TURN ON THE CAMERA

a. Set the mode dial to P.

b. Set the power switch to ON.

c. While looking through the viewfinder, rotate the diopter adjustment dial little by little. When you can see the AF frame clearly, adjustment is complete.



STEP

# 8

## SET THE DATE AND TIME

a. With the camera on, press the MENU button.

b. Press  $\nabla/\Delta$  to select the  $\frac{1}{2}$  tab, then press  $\leftarrow$ . Press  $\nabla/\Delta$  to select  $\odot$ , then press  $\leftarrow$ .

c. Press  $\nabla/\Delta$  to select the date format, then press  $\leftarrow$ .

d. Press  $\nabla/\Delta$  to set each item and press  $\leftarrow$  to move to the next item.

e. Press the OK button when you have finished entering the date and time.



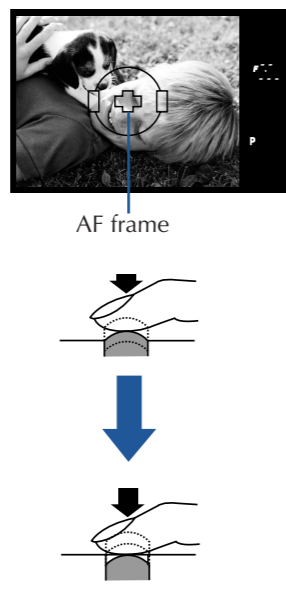
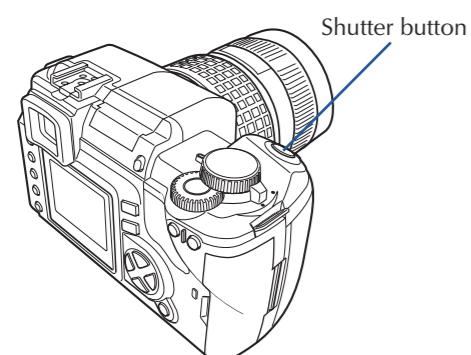
STEP

# 9

## TAKING A PICTURE

a. Place the AF frame on the subject while viewing through the viewfinder.

b. Press and hold the shutter button halfway to lock the focus and exposure, then press the shutter button completely to take the picture.



STEP

# 10

## REVIEWING AND ERASING A PICTURE

a. Press the  $\blacktriangleright$  (playback mode) button. The last picture taken is displayed.

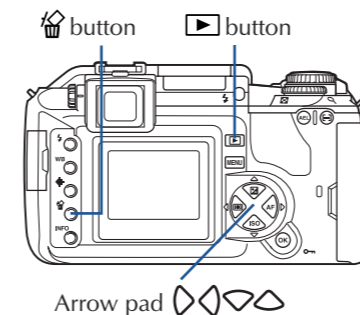
b. Use the arrow pad to select images you want to view.

c. To return to the shooting mode, press the shutter button halfway.

### ERASING A PICTURE

a. Select the picture you want to erase and press  $\blacktriangleright$ .

b. Press  $\nabla/\Delta$  to select YES, then press the OK button.



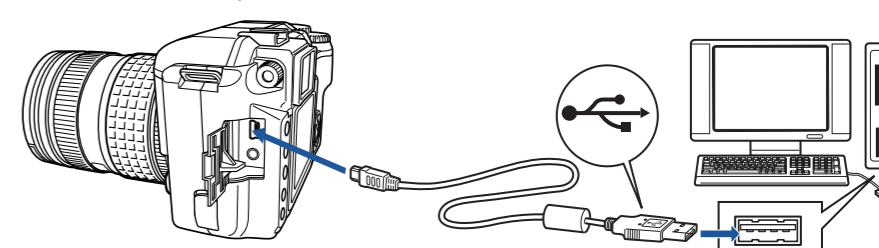
STEP

# 11

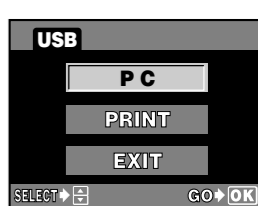
## CONNECTING THE CAMERA TO A COMPUTER

a. Make sure the camera is off.

b. Connect the camera to the computer using the USB cable (included). Set the camera's power switch to ON.



c. Press  $\nabla/\Delta$  to select PC. Press the OK button.



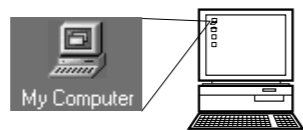
STEP

# 12

## VERIFY CAMERA CONNECTION

### WINDOWS:

a. From the desktop ("Start" menu for XP), open "My Computer."



b. Verify that the "Removable Disk" icon representing the camera is displayed.



### MACINTOSH:

a. Verify that the "untitled" (or "NO\_NAME") icon representing the camera is displayed.



• The above steps confirm that the camera has been installed correctly. You can transfer your images immediately using the standard drag and drop procedure, or enhance your experience using OLYMPUS Master (included).

STEP

# 13

## ABOUT THE CD-ROM DISC & ADVANCED MANUAL



You've now mastered the basic functionality of your new Olympus Digital Camera! You are now ready to begin exploring the possibilities that digital photography brings to your computer. Activities such as photo editing, printing and much more are only steps away!

**OLYMPUS Master software:** To download pictures from the camera, view, organize, retouch, e-mail and print your digital photos and movies and more! This CD also contains the complete software users manual in Adobe Acrobat (PDF) format.

**Advanced Manual:** This manual contains detailed instructions on the camera's features and functions which are not covered Quick Start/Quick Reference Guides.

STEP

# 14

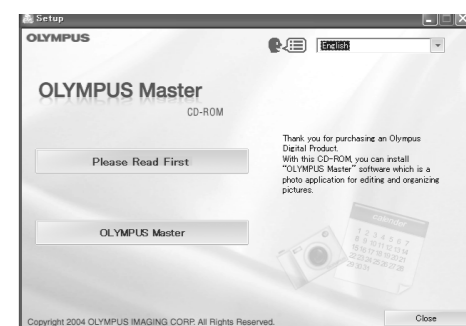
## INSTALLING THE CAMERA SOFTWARE

a. Insert the OLYMPUS Master CD-ROM into your computer's CD-ROM drive.

b. For Windows  
Click the "OLYMPUS Master" button in the Setup window.

For Macintosh  
Double-click the "Installer" icon.

c. Follow the on-screen instructions. For more details, click "Please Read First".



Please refer to the Quick Reference Guide on the reverse side of this sheet to familiarize yourself with the commonly used features and functions of your new Olympus Digital Camera.



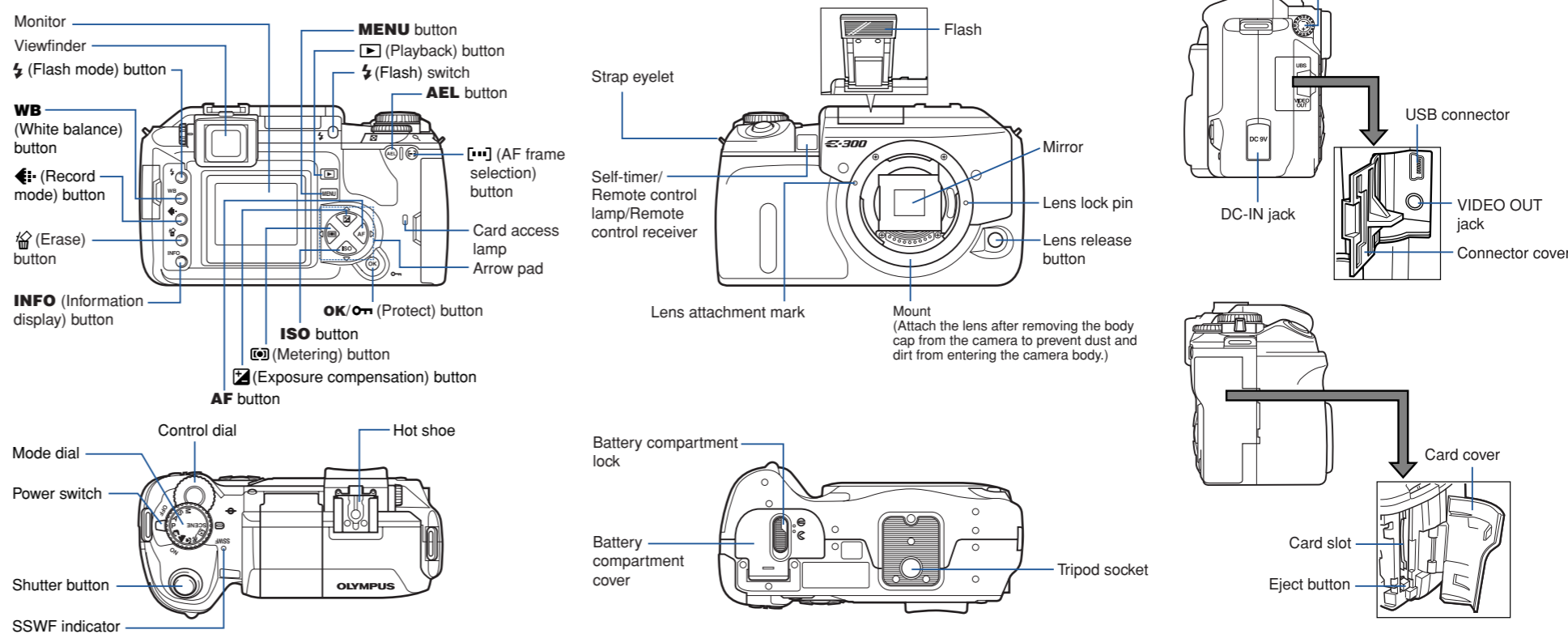
# Quick Reference Guide

E-300

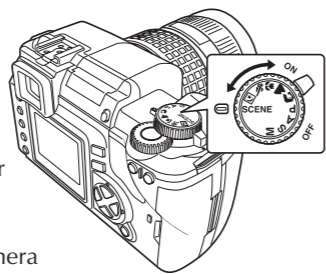
## INDEX

1. Camera Diagram and Controls
2. How to use the mode dial
3. How to use the buttons and control dial
4. How to Use the Autofocus
5. Flash Modes
6. Image Quality Modes
7. Viewing Pictures on a TV
8. How to Erase All Pictures.
9. E-mailing a Picture
10. Printing a Picture

## 1 CAMERA DIAGRAM AND CONTROLS



## 2 HOW TO USE THE MODE DIAL



### P Program shooting

Allows you to shoot using an aperture and shutter speed that the camera sets.

### A Aperture priority shooting

Allows you to set the aperture manually. The camera sets the shutter speed automatically.

### S Shutter priority shooting

Allows you to set the shutter speed manually. The camera sets the aperture automatically.

### M Manual shooting

Allows you to set the aperture and shutter speed manually.

### PORTRAIT

Suitable for shooting a portrait-style image of a person.

### LANDSCAPE

Suitable for shooting landscapes and other outdoor scenes.

### MACRO

Suitable for taking close-up pictures (macro shooting).

### SPORT

Suitable for capturing fast-moving action without blurring.

### NIGHT SCENE

Suitable for shooting images of outdoor scenes in the evening or at night.

### SCENE

More than 10 different shooting modes are available to suit a wide range of shooting situations. When the mode dial is set to this mode, the shooting mode selection screen is displayed.

## 3 HOW TO USE THE BUTTONS AND CONTROL DIAL

This camera has a variety of functions to enable you to optimize settings for various shooting conditions. You can set the functions using the buttons and the control dial while viewing the monitor.

**(Exposure compensation) button** : Sets the exposure compensation value.

**WB (White balance) button** : Selects the white balance appropriate to the light source from the following options: Auto, preset white balance settings, customized white balance settings or registered white balance.

**(Record mode) button** : Selects image quality.

**(AF frame selection) button** : Selects the AF frame, allowing you to perform multiple AF or to perform AF using one of the 3 frames.

**ISO button** : Sets the ISO sensitivity.

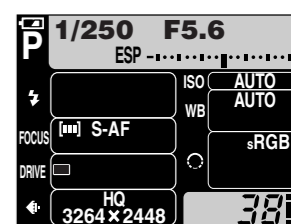
**(Metering) button** : Selects the metering mode.

**AF (focus mode) button** : Selects the focus mode.

**(Flash mode) button** : Selects a flash mode from auto-flash, red-eye reduction flash, slow synchronization or fill-in flash.

a. Press the button for the function you want to set. The selected function indicator lights in green.

b. Rotate the control dial to select the setting. The selection is complete after a few seconds. The indicator is turned off.



### Other buttons

**(Erase) button** : Erases unwanted images.

**INFO (Information display) button** :

**Shooting** : Displays shooting information on the control panel screen.

**Playback** : Displays shooting information or histogram of the recorded image. Each time this button is pressed, the information display is changed.

**(flash) switch** : Raises the flash.

**AEL button** : Locks the exposure.

**(Playback mode) button** : Plays back images on the monitor.

**MENU button** : Displays the menu.

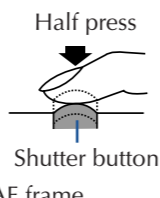
**OK/ (Protect) button** :

**Shooting** : Allows you to use the function that you previously assigned to the menu's CUSTOM OK.

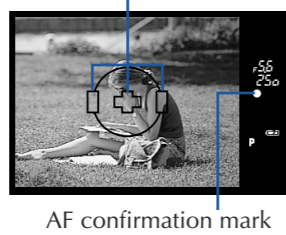
**Playback** : Protects images from being accidentally erased.

## 4 HOW TO USE THE AUTOFOCUS

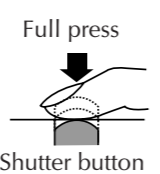
a. While positioning the AF frame over the subject, press and hold the shutter button halfway.



b. The AF confirmation mark indicating that the focus and exposure are locked remains lit as long as the shutter button is kept depressed.



c. Press the shutter button completely to take the picture.



## 5 FLASH MODES

This camera features multiple flash modes. You can select the appropriate flash mode to suit the situation.

### AUTO

- Auto-flash - The camera decides if the flash is needed.
- Red-eye reduction flash - Reduces the incidence of red-eye by emitting pre-flashes to shrink pupil size before taking the picture.

### SLOW

- Slow synchronization (1st curtain) - The flash fires right after the shutter fully opens.

### SLOW2

- Slow synchronization (2nd curtain) - 2nd curtain flash fires just before the shutter closes.

### SLOW

- Slow synchronization + Red-eye reduction flash - This mode is for when you want to use slow synchronization, yet also reduce the red-eye phenomenon.

### (Fill-in flash)

- Fill-in flash - The flash always fires. Suitable for taking subjects lit from behind by strong light.

### (Fill-in flash + Red-eye reduction flash)

- Fill-in flash + Red-eye reduction flash - This mode makes it possible to fire the flash regardless of the light conditions and also to reduce red-eye phenomenon.

### (Fill-in flash + Slow synchronization (2nd curtain))

- Fill-in flash + Slow synchronization (2nd curtain) - The flash fires regardless of the light conditions at the timing of the 2nd curtain.

### Flash off

- Flash off - The flash is turned off. Suitable for when flash photography is not permitted.

## 6 IMAGE QUALITY MODES

Your camera is equipped with multiple image quality modes, which determine the quality and file size of the pictures you take. Below is a general description of the commonly used modes. For a detailed description of all quality modes, refer to the Advanced Manual.

Application	Quality (Compression)			
	Number of pixels	Non-compression 1/1	Low compression 1/2.7	High compression 1/4
Select for the print size	3254 x 2448	TIFF	SHQ	HQ
	3200 x 2400 2560 x 1920 1600 x 1200 1280 x 960 1024 x 768			SQ
For small-sized print and website	640 x 480			

Number of pixels increases (Number of storable pictures decreases) ↑

Image becomes clearer ←

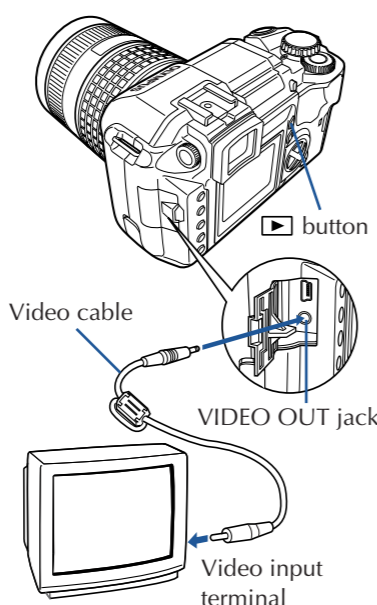
## 7 VIEWING PICTURES ON A TV

a. Turn the camera and TV off, and connect the video cable as illustrated.

b. Turn on the TV and set it to the video input mode. For details on switching to the video input mode, refer to the TV's instruction manual.

c. Turn the camera on and press the (playback mode) button.

Note: If the pictures are not displayed, consult your TV manual to set up the video source.



## 8 HOW TO ERASE ALL PICTURES

**WARNING - PERFORMING THESE STEPS WILL DELETE ALL PICTURES STORED IN YOUR CAMERA!**

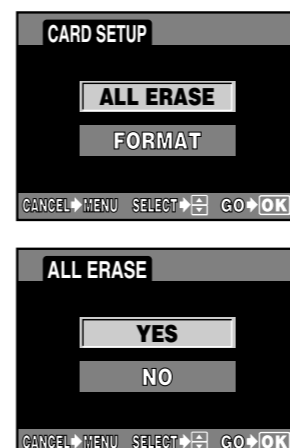
a. Press the (playback mode) button.

b. Press the MENU button. Press  $\Delta$  to select  $\square$ , then press  $\Delta$ .

c. Press  $\Delta$  to select CARD SETUP, then press  $\Delta$ .

d. Press  $\Delta$  to select ALL ERASE, then press the OK button.

e. Press  $\Delta$  to select YES, then press OK.



## 9 E-MAILING A PICTURE

Using the OLYMPUS Master software (included), you can share your pictures with others by using the built-in e-mail feature.

After installing OLYMPUS Master, open the program and click "Browse Images". From the "Browse Images" window, select the picture(s) you want to send and click the "E-mail" tool button.

At this time, you can resize your pictures making them more manageable to e-mail. This helps you to stay within the e-mail capacity limitations set by your e-mail provider.

When finished, click the "Launch Mailer" button at the bottom of the window. Your default e-mail program will open and the selected picture(s) will automatically be attached to a new message.

## 10 PRINTING A PICTURE



Using the OLYMPUS Master software (included), you can make prints of your pictures using your own photo printer.

After installing OLYMPUS Master, open the program and click the "Print Images" icon on the main menu. You can create many different types of prints such as an index print, photos, albums, or calendars. Simply select the image(s) and add them to one of the many layouts within OLYMPUS Master. For detailed instructions, please refer to the "Help" menu in the software. You can also order prints online using the "Print Online" feature in OLYMPUS Master.

Alternatively, you can print your pictures by connecting your PictBridge\* compatible camera directly to a PictBridge compatible printer, such as the Olympus P-10 Digital Photo Printer. This permits fast, easy printing without using a computer.

\* For detailed instructions on using PictBridge, please refer to the Advanced Manual.

### What you can do with OLYMPUS Master software

- The provided software CD includes OLYMPUS Master software for viewing and editing images. Once installed, you can take advantage of viewing and editing your images as shown below. For information on how to use OLYMPUS Master software, see Help after installation.
- Install OLYMPUS Master on your computer from the provided CD-ROM. OLYMPUS Master allows you to register as the camera's owner. Doing so will enable you to receive information on software or firmware upgrades from Olympus.



### CONTACT INFORMATION

#### OLYMPUS IMAGING AMERICA INC.

2 Corporate Center Drive, PO Box 9058, Melville, NY 11747-9058

#### Technical Support (USA):

24/7 online automated help: <http://www.olympusamerica.com/E1>  
Phone customer support: 1-800-260-1625 (toll free)

Our phone customer support is available from 8am - 10pm, (Monday to Friday) ET

E-mail: [e-slpr@olympusamerica.com](mailto:e-slpr@olympusamerica.com)

Olympus software updates can be obtained at: <http://www.olympus.com/digital>

# OLYMPUS